

FIRE-SAFE BALL VALVE ASSEMBLIES THERMAL

Thermal Fire-Safe Ball Valve Assemblies are Factory Mutual (FM) approved and combine the characteristics of a manual ball valve with the added safety of an automatic shut-off. Heat actuated, U.L. listed thermal links automatically shut off or open the valve at predetermined temperatures. A unique, removable handle allows the valve to be manually operated without affecting the fusible links.

The thermal fire-safe ball valve assembly, ranging in size from 1/4" to 4", is available in a variety of metals, including stainless steel, carbon steel, monel, Inconel, hastelloy B & C and alloy 20.

All thermal links are U.L. listed and are available in the following temperatures: 165° F (74° C), 212° F (100° C), 286° F (141° C), 360° F (182° C) and 500° F (260° C).

Essex offers the Fire-Safe Ball Valve Assemblies with the following connection configurations: threaded; socket-weld; butt-weld; and flanged.



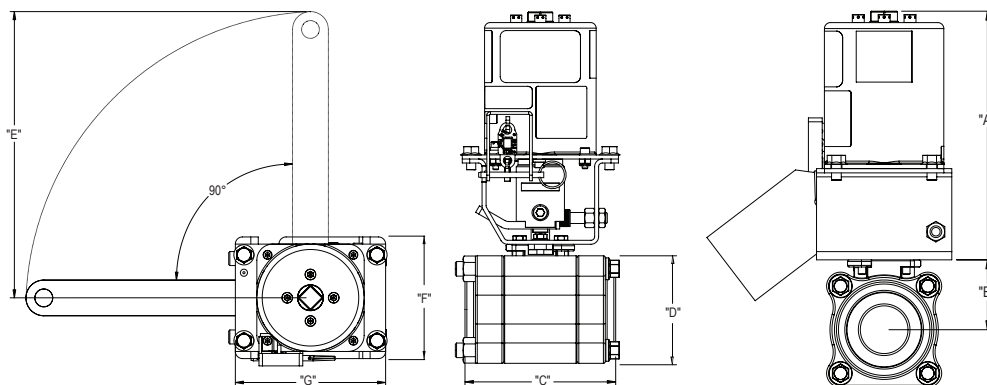
For more information visit
essexindustries.com/safety/home



THERMAL LINK ASSEMBLIES

	FLANGED						
	A	B	C	D	E	F	G
1/2"	6.9	1.1	4.3	3.4	7.8	3.3	4.8
3/4"	7.0	1.3	4.3	3.9	7.8	3.3	4.8
1"	7.4	1.7	5.0	4.3	7.8	3.3	4.8
1 1/2"	10.0	2.1	6.6	5.0	10.0	4.3	5.3
2"	10.2	2.3	7.0	6.0	10.0	4.3	5.3
3"	12.1	3.5	8.0	7.5	10.0	4.3	5.3
4"	12.6	4.0	9.0	9.0	18.0	4.3	5.3

	THREADED / SOCKET & BUTT-WELD							
	A	B	C-TS	C-BW	D	E	F	G
1/2"	6.9	1.1	2.6	2.4	2.1	7.8	3.3	4.8
3/4"	7.1	1.3	3.3	3.4	2.3	7.8	3.3	4.8
1"	7.5	1.7	3.7	4.0	2.6	7.8	3.3	4.8
1 1/4"	9.7	1.8	4.3	4.6	2.9	10.0	4.3	5.3
1 1/2"	10.0	2.1	4.6	5.5	3.4	10.0	4.3	5.3
2"	10.2	2.3	5.2	6.0	3.7	10.0	4.3	5.3
2 1/2"	10.2	2.3	6.5	N/A	4.6	10.0	4.3	5.3



Drawing Shown: Jamesbury 4000 Series 2" Threaded Thermal Link